

Supt. O'haul

X

ROYAL CANADIAN AIR FORCE

EO 15-65-5A
24 Aug 65

LIST OF SPECIAL INFORMATION

FIRE EXTINGUISHERS GENERAL

(This EO replaces EO 15-65-5A dated 4 Dec 61)

TABLE OF CONTENTS

LATEST DATE	EO NO	TITLE
	15-65-5A/1	(Rescinded)
6 Jun 57	/2	Walter Kidde Dual Squibb Cartridge Part 840644 for Liquid Extinguisher Containers
*22 Mar 65	/3	Special Tool Fire Extinguisher

* Asterisks appearing opposite entries denote changes since last issue.

SPECIAL INFORMATION

WALTER KIDDE DUAL SQUIBB
CARTRIDGE PART 840644
FOR LIQUID EXTINGUISHER CONTAINERS

(This EO replaces EO 15-65-5A/2 dated 4 Feb 57)

- 1 The former actuating cartridge RCAF Sec./Ref. 27N/665 Part 931182 has been superseded by a new cartridge Part 840644 and is catalogued as 12D/439. Refer to current EO 15-65BC-5/1.
- 2 This cartridge is used for the following aircraft:
 - (a) Packet C119.
 - (b) North Star.
 - (c) North Star C5.
 - (d) Canuck (CF-100).

ELECTRICAL WIRING REQUIREMENTS

- 3 To acquaint personnel with this cartridge, the following information is promulgated:
 - (a) All units must be grounded through a low resistance connection from the flange on the valve to the aircraft structure. Alternate grounding method may be from the terminal adaptor AN3057 on the valve to the aircraft structure. "AN" electrical connectors must be of the sand blasted or cadmium plated type.
 - (b) The minimum voltage to the remote feed end of the electrical circuit must not fall below 18 volts, and the current per cartridge shall not be less than 8 amperes.
 - (c) The maximum number of cartridges that may be safely used with a given wire size is listed as follows:

Maximum Number of Cartridges	Wire Size
2	#20
5	#16
8	#14
10	#12

- (d) Protection of the circuit shall be by the use of a circuit breaker of such a size as to protect the continuous load rating of the wire used.
- (e) Wire size continuous loading shall be as prescribed in Specification MIL-W-5087 for single cables in free air.
- (f) Wiring after a protective circuit breaker must be exclusively for the extinguisher circuit.

TECHNICAL DATA

1. MAX. TEST CURRENT 35 MILLIAMPS
2. MIN. FIRING CURRENT FOR 100%
IGNITION - 850 MILLIAMPS.
3. WEIGHT - .175 LBS.

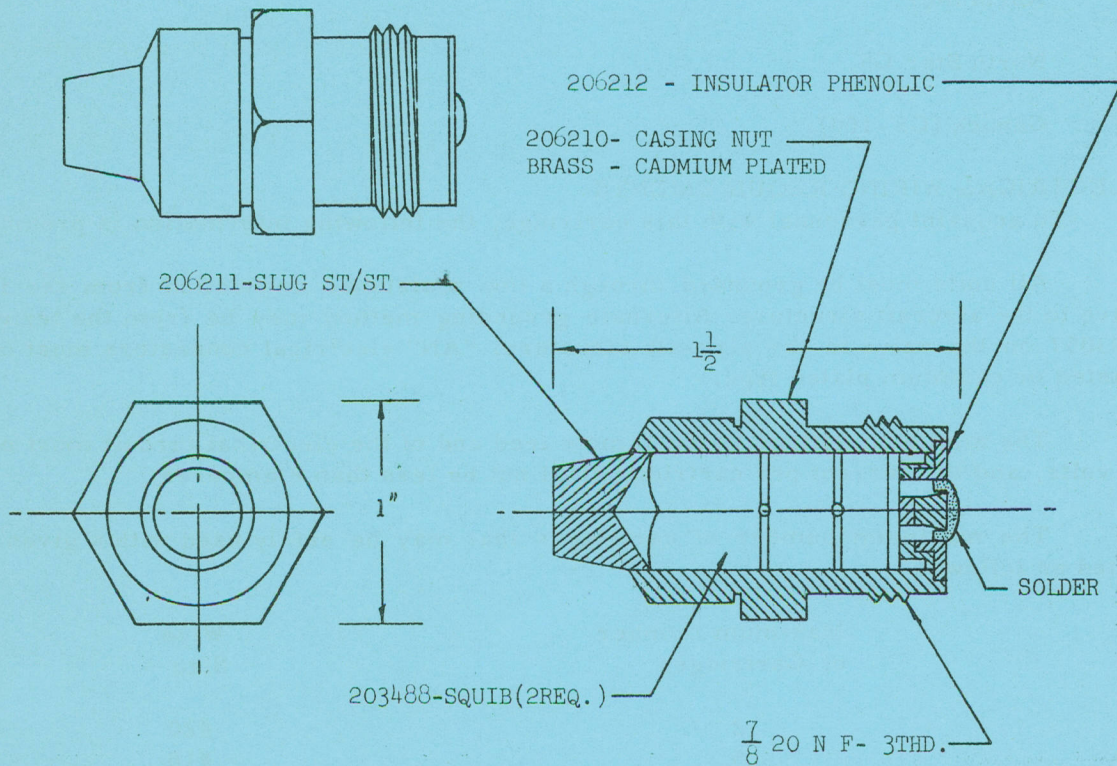


Figure 1

ELECTRICAL WIRING REQUIREMENTS (Cont'd)

(g) In all cases where the total wire length from the feed point to the last cartridge exceeds 100 feet, a proportional increase in wire size shall be made, as well as the circuit breaker capacity.

(h) Cartridges are ignited by low resistance fuse wires that burn out following application of current. As a result, operating currents are of high magnitude and short duration.

CIRCUIT CONTINUITY CHECK

4 Refer to the applicable -2 Engineering Order for continuity check procedure.

NOTE

When cartridges are installed, aircraft circuit continuity checks are to be conducted by the electrical technician in co-operation with the M&W technician using the safety ohmmeter Ref. 12N/41.

CARTRIDGE AND EXTINGUISHER BONNET CONTINUITY CHECK

5 Refer to EO 30-1-5A/205 for the cartridge and extinguisher bonnet continuity check.

ISSUED ON AUTHORITY OF THE CHIEF OF THE AIR STAFF

Prepared By:
AMC/SACO/ACA

SPECIAL INFORMATION

SPECIAL TOOL FIRE EXTINGUISHER

Used For Circular Valve Assemblies On Fixed Fire Extinguishers.

PURPOSE

- 1 To locally manufacture a tool that may be used in lieu of a strap wrench when working in a confined area.

MANUFACTURE DATA

- 2 Using bar stock Spec. CS1020, manufacture tool as per Figure 1. Adhere the rubber strip using adhesive GP 8030-21-805-9846.

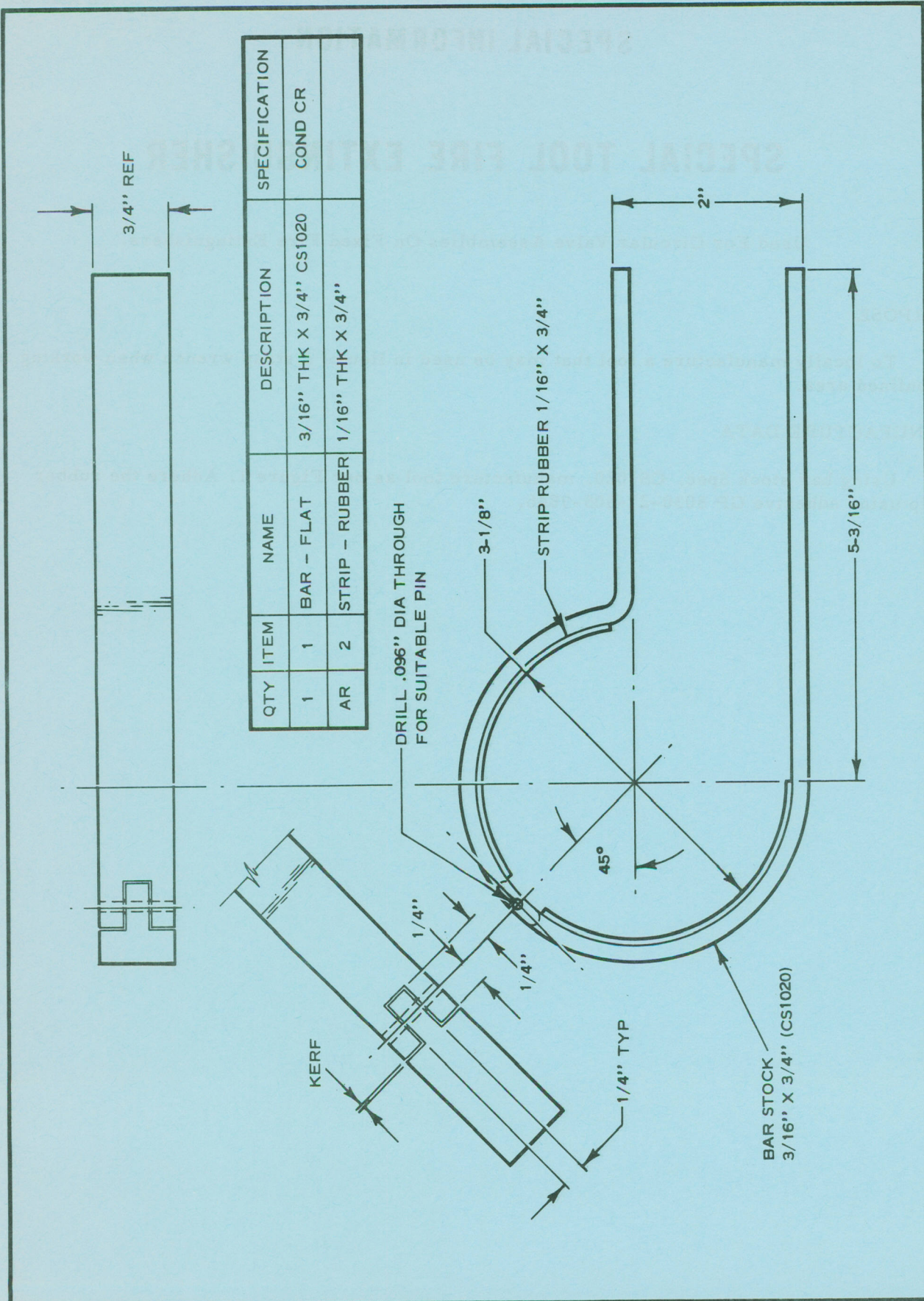


Figure 1